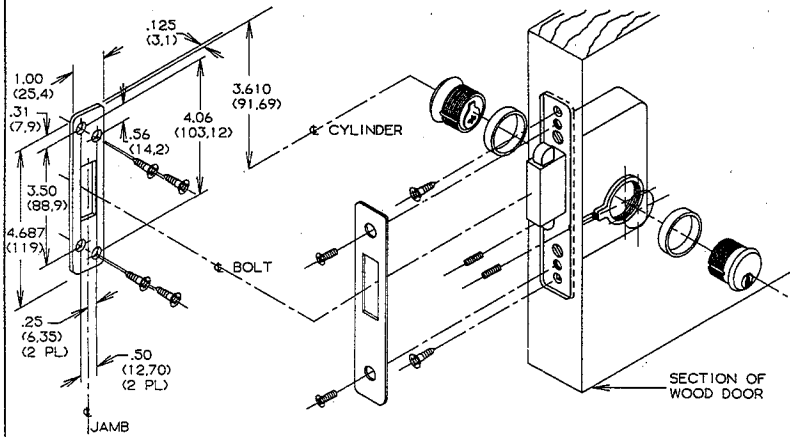


STRIKE PLATE

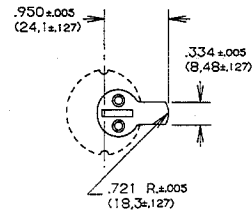
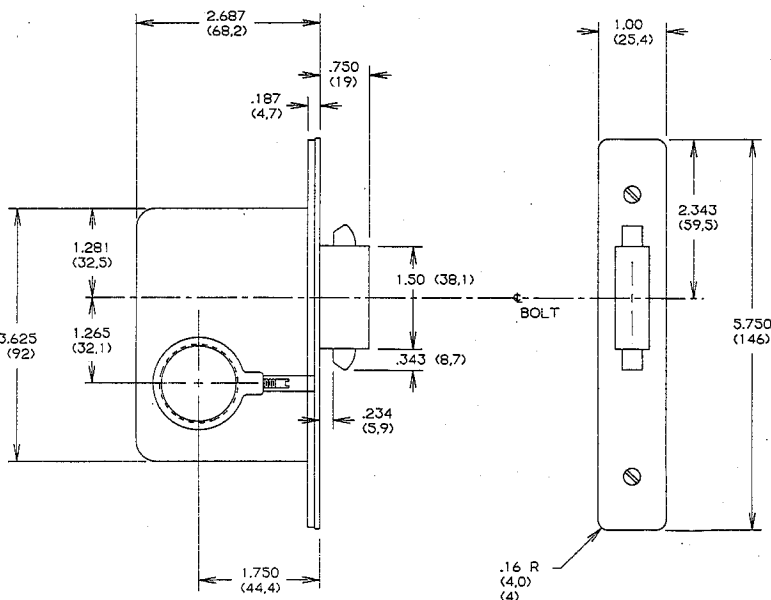
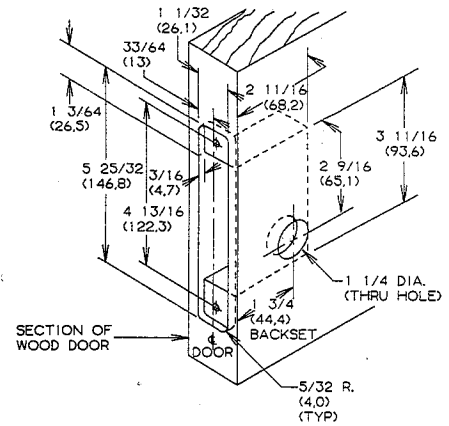
LOCK & CYLINDER
INSTALLATION



NOTE: SCREWS ARE FURNISHED.

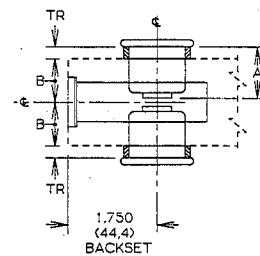
DOOR PREPARATION

NOTE: DIMS. SHOWN ARE RECOMMENDED MINIMUM.



2331 DEADLOCKS ARE OPERABLE BY ANY STANDARD 1 3/32" (23.3) DIA. MORTISE CYLINDER DIMENSIONED AS SHOWN. CYLINDERS WITH SUCH CAMS CAN BE READILY OBTAINED FROM MOST CYLINDER MANUFACTURERS.

CYLINDER TRIM RING



TRIM RING THICKNESS (TR) WILL VARY WITH SPECIFIC CYLINDER MAKE, NUMBER OF PINS & SPECIFIC DOOR THICKNESS TO DETERMINE TRIM RING THICKNESS USE THE FOLLOWING FORMULA.

$$TR = A + .125(3.1) - B$$

NOTE: DIMENSIONS IN PARENTHESIS ARE IN MILLIMETERS

DATE: REDRAWN WITHOUT CHANGE
10-23-84
P/N: 80-0180-10

ADAMS RITE MANUFACTURING COMPANY CITY OF INDUSTRY, CALIF. 91749

2331 DEADLOCK